



KITS



PUMPS



METERS



METERED NOZZLES



NOZZLES



WASTE OIL EQUIPMENTS

# K400

## FEATURES

- READY TO USE
- EASY TO CALIBRATE
- DOUBLE TOTALIZER
- ELECTRONIC RESET FUNCTION
- HIGH ACCURACY
- LOW BATTERY CONSUMPTION
- RUBBER PROTECTION
- ADJUSTABLE UNIT OF MEASUREMENT

The PIUSI K400 is an electric oval gear meter suitable for monitoring the delivery of oils with a wide range of viscosity. The meter is equipped with a digital display and it is also available in pulser version.

### PERFORMANCE

<b>UP TO</b> <b>30 L/MIN</b>	<b>MAX</b> <b>70BAR</b>
FLOW RATE	OPERATING PRESSURE
<b>± 0,5%</b>	<b>0,3%</b>
ACCURACY	REPEATABILITY



K400



K400 PULSER



### PACKAGING

CODE	WEIGHT		PACKAGING			
	KG	LBS	MM	INCH	PCS/PALLET	PCS/BOX
<b>METER</b>						
FOO484000	0,5	1,1	298X198X113	11,7X7,8X4,4		12
<b>PULSER</b>						
FOO440200	0,5	1,1	300X160X110	11,8X6,3X4,3		8



FILTRATION



FLUID MONITORING



TANK MONITORING



HOSE REELS



ACCESSORIES



MERCHANDISE

INDEX



AIR



ANTIFREEZE



AdBlue®



BIODIESEL



DIESEL



FOOD



GASOLINE



GREASE



KEROSENE



OIL

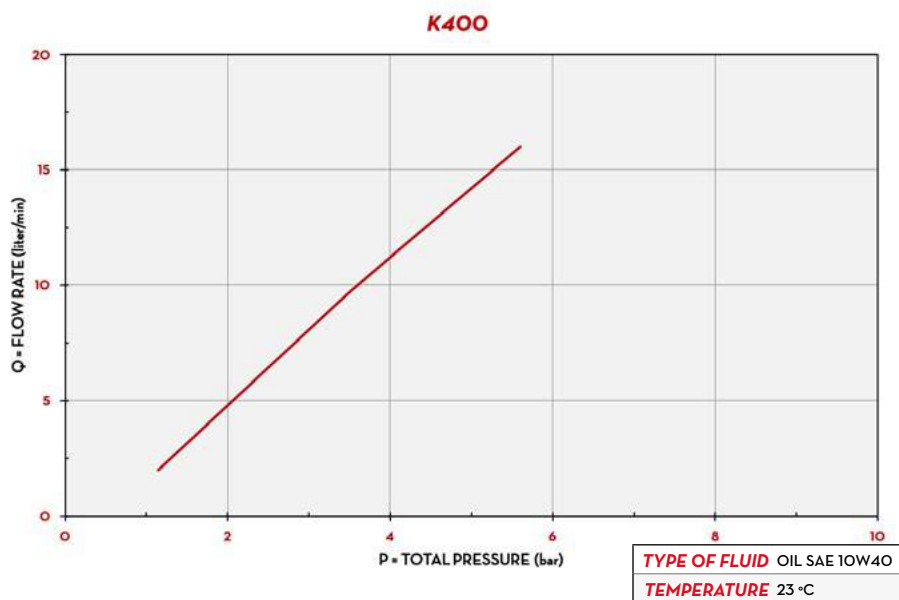


WATER

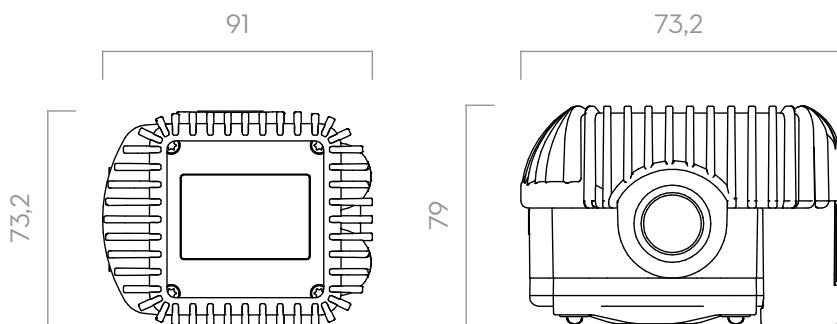


WINDSCREEN

### CHART



### DIMENSIONS



Dimensions expressed in millimeters

### IN THE BOX

- K400 METER
- INSTRUCTION MANUAL

### DETAILS



### MATERIALS

- BODY: ALLUMINIUM
- GEARS: TECHNOPOLYMER

### TECHNICAL DATA

CODE	DESCRIPTION	FLUIDS TYPE	FLOW RATE		WORKING PRESSURE		BATTERIES INCLUDED AAA NO.2 2 X 1,5 V	INLET	OUTLET
			L/MIN	GPM	BAR	PSI			
<b>METER</b>									
FO0484000	K400 METER .” BSP		1-30	0,26 - 7,8	70	994	YES	1/2” BSP	1/2” BSP
<b>PULSER</b>									
FO0440200	K400 PULSER .” BSP		1-30	0,26 - 7,8	70	994	NO	1/2” BSP	1/2” BSP

UPON REQUEST AVAILABLE IN NPTF VERSION AND DISPLAY IN GALLON/QUARTER OR PINT

# K400